

# Series RDE915

Rod End Load Cell

## Standard Features

- Compact High Capacity
- Tension / Compression
- High Strength Tool Steel
- 0.25% Accuracy
- -65° to 250° F Operation
- Environmentally Sealed
- Low Deflection



## Standard Specifications

### Performance

<b>Capacities</b>	5K, 10K, 15K, 20K, 25K lbs.
<b>Output</b>	2 mV/V nominal.
<b>Linearity</b>	0.25% FSO.
<b>Hysteresis</b>	0.15% FSO.
<b>Repeatability</b>	0.05% FSO.
<b>Compensated Temperature Range</b>	70°F to 170°F.
<b>Operating Temperature Range</b>	-40°F to 250°F.
<b>Temperature Effect on Zero</b>	0.002% FSO/°F.
<b>Temperature Effect on Span</b>	0.002% Reading/°F.
<b>Zero Balance</b>	1% FSO.
<b>Bridge Resistance</b>	350 Ohms nominal.

### Mechanical Characteristics

<b>Calibration</b>	5 Points (0, 50%, 100%, 50%, 0). Tension/Compression.
<b>Max. Overload</b>	150% FSO.
<b>Construction</b>	High strength steel, environmentally sealed.

### Electrical Characteristics

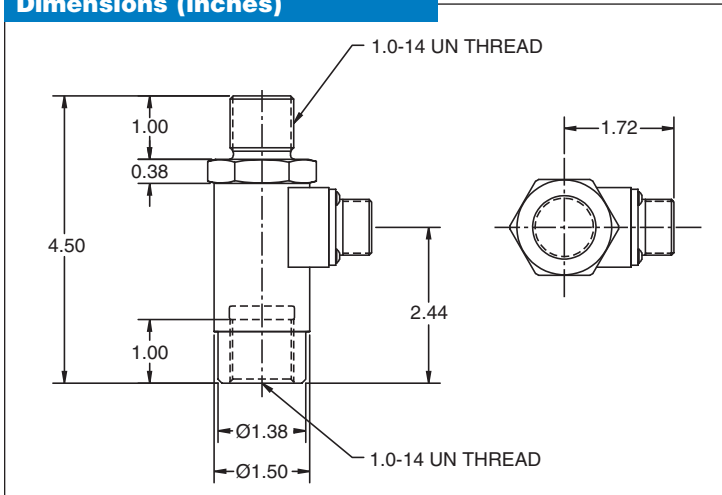
<b>Excitation</b>	10 Vdc or Vac.
<b>Excitation Max</b>	20Vdc or Vac
<b>Insulation Resistance</b>	Greater than 5000 megaohms at 50 Vdc.
<b>Electrical Termination</b>	MS3102E-14S-5P
<b>Connector Pins</b>	A +EXE      C - SIG B +SIG      D - EXE E N/C

**RDE915**

# Series RDE915 Specifications

Baseline Configuration Specs Represented.  
Modifications Encouraged - See Below  
Custom Designs Available

## Dimensions (inches)



## Available Options

<b>Threads</b>	Metric.
<b>Temperature Compensation Ranges</b>	From -40°F to 400°F.
<b>Temperature Operating Ranges</b>	From -40°F to 400°F.
<b>Calibration</b>	Additional calibration points (in addition to standard 5 points) available (Consult Factory) Special and custom calibration available (Consult Factory)
<b>Bridges</b>	Dual and triple bridges.
<b>Material</b>	Stainless steel.
<b>Amplifiers</b>	Internal or In-Line (Consult Factory). <ul style="list-style-type: none"><li>• Analog (4-20 mA; 0-5 Vdc; 0-10 Vdc).</li><li>• Digital (RS-232; RS-485; CANbus; MODbus).</li></ul>
<b>Calibration Range</b>	Standardized Outputs. Special Full Scale Range (Example 6000 lbs).
<b>Custom Options</b>	Other unlisted customer requested options welcome.

CE  
0539

NOTES: When using a load cell the user must consider load ratings and fatigue life for long term use and structural integrity. Critical loading applications, especially overhead loading, must always be designed with safety redundant load paths. MODIFICATIONS: We realize load cell applications vary greatly and as such our designs are flexible. Specifications subject to change without notice.

WARRANTY: Stellar Technology warrants that its product shall be free from defective workmanship and/or material for a twelve month period from the date of shipment, provided that Stellar Technology's obligation hereunder shall be limited to correcting any defective material FOB our factory. No allowance will be made for any expenses incurred for correcting any defective workmanship and/or material without written consent by Stellar Technology. This warranty is in lieu of all other warranties expressed or implied.

Find For More Information at:  
[stellartech.com](http://stellartech.com)

Due to the nature of technology, changes are inevitable. For latest technical specifications, see our website.

Copyright © Stellar Technology Incorporated • All Rights Reserved  
Datasheet P/N: 226409B

237 Commerce Drive • Amherst, NY 14228 • USA  
**Tel:** 716.250.1900 • **Fax:** 716.250.1909  
**Email:** [info@stellartech.com](mailto:info@stellartech.com)

ISO 9001:2000  
**STI**  
STELLAR TECHNOLOGY  
INCORPORATED

# Series RDE915

## Supplemental Technical Details

Baseline Configuration Specs Represented.  
Modifications Encouraged - See Below  
Custom Designs Available

### Technical Information

Capacity (lbs.)	Max.Torque (In-Lb)	Max.Bending (In-Lb)	Ringing Frequency (KHz)	Deflection (Full Scale,In.)
5K	200	100	5500	0.003
10K	500	250	7500	0.004
15K	1000	500	8000	0.005
25K	2000	1000	10,000	0.005
50K	6000	3000	8000	0.005
100K	15000	8000	5000	0.006

### Notes

Note 1: Standard length threads allow full 1 diameter thread engagement with optional lock nut.Short thread without optional lock nut available on request.

Note 2: Ø3.50 RDE915 will be supplied with 4 equally spaced Ø0.25" spanner wrench holes.

Note 3: Do not exceed listed maximum torque across load cell (top to bottom).It is permissible to use standard torque values from the nut to the nut mating fixture and the flat to the flat mating fixture.



0539

NOTES: When using a load cell the user must consider load ratings and fatigue life for long term use and structural integrity. Critical loading applications, especially overhead loading, must always be designed with safety redundant load paths.

MODIFICATIONS: We realize load cell applications vary greatly and as such our designs are flexible. Specifications subject to change without notice.

WARRANTY: Stellar Technology warrants that its product shall be free from defective workmanship and/or material for a twelve month period from the date of shipment, provided that Stellar Technology's obligation hereunder shall be limited to correcting any defective material FOB our factory. No allowance will be made for any expenses incurred for correcting any defective workmanship and/or material without written consent by Stellar Technology. This warranty is in lieu of all other warranties expressed or implied.

Find More Information at:  
[stellartech.com](http://stellartech.com)

Due to the nature of technology, changes are inevitable. For latest technical specifications, see our website.