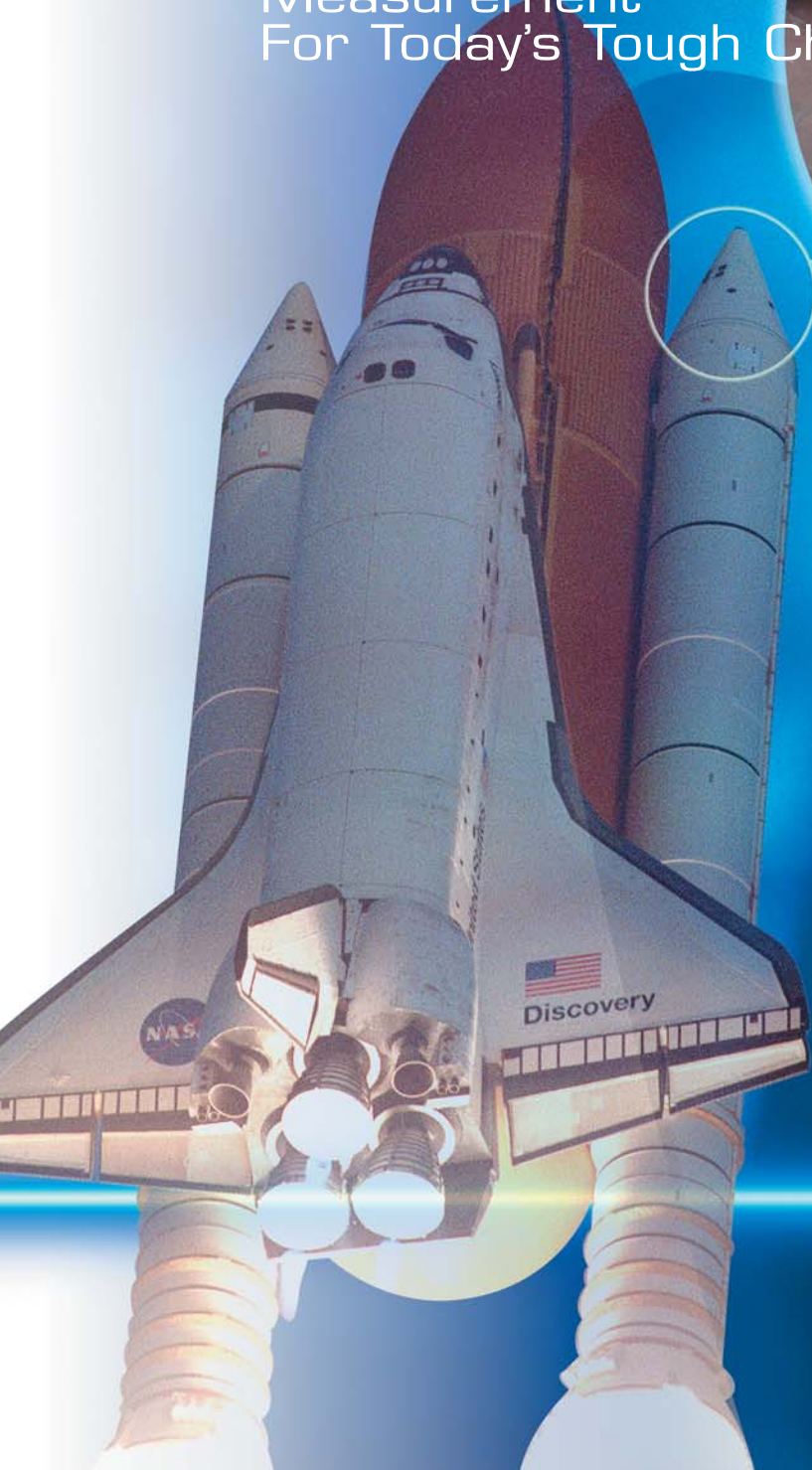


SMART

TRANSDUCER SOLUTIONS

Pressure/Temperature
Measurement
For Today's Tough Challenges



- **Wireless**
 - 2.4 GHz Up to 4000 ft.
 - Ask About CL1, Div1 Approved
- **Battery Powered DataLogger**
 - Sampling 100 KHz Rate, 300K Readings
 - Packaged For High Shock/Vib Requirements
- **Connectivity**
 - RS-232/485
 - CANbus
- **Ask About**
 - USB
 - DeviceNet

STI
STELLAR TECHNOLOGY
INCORPORATED

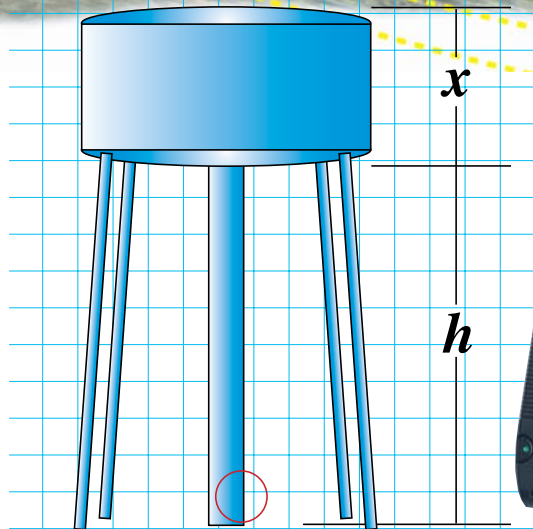
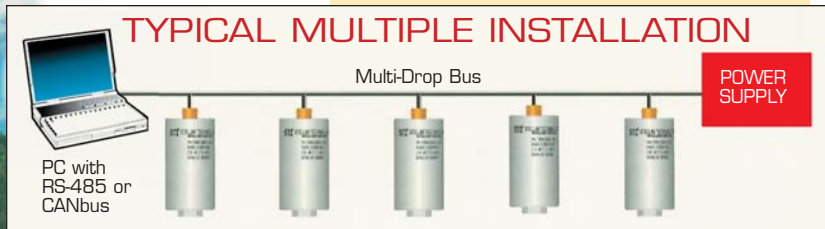
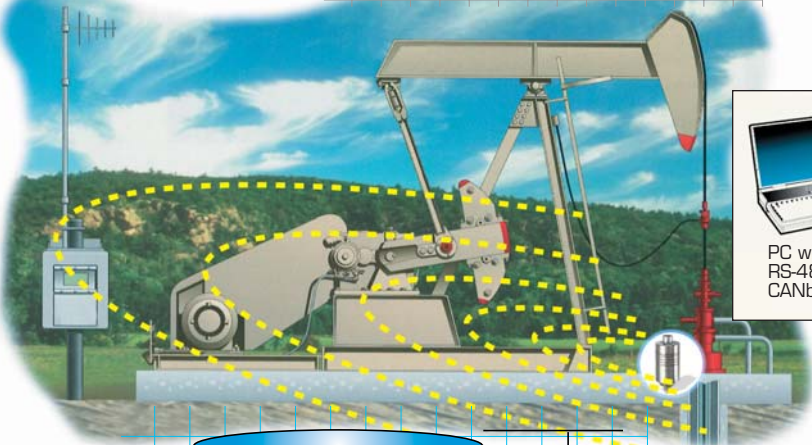
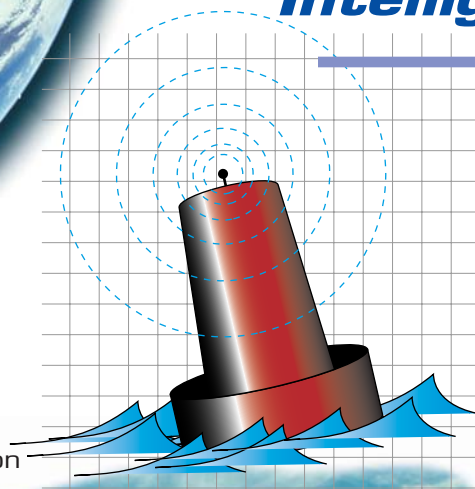
PRESSURE & TEMPERATURE TRANSDUCER SOLUTIONS

Intelligent Transducer Systems Offer...

- High Accuracy
- Economical Pricing
- PC/PDA Compatibility
- Spreadsheet Compatibility
- Reduced Data Acquisition Costs
- Elimination of Temperature Errors
- Simultaneous Digital/Analog Outputs

- Store large amounts of data on-board. 300K Readings Battery Powered.

- Multipoint Wireless Data Transmission



- Set up your tank or tanks via PC or PDA quickly and reliably.



- Program Real-Time Pressure and Temperature Pickup. Maintenance Personnel can store now and dump data later into your PC and Spreadsheet.



237 Commerce Drive • Amherst, NY 14228 • USA
 Tel: 716.250.1900 • Fax: 716.250.1909
 Email: info@stellartech.com

